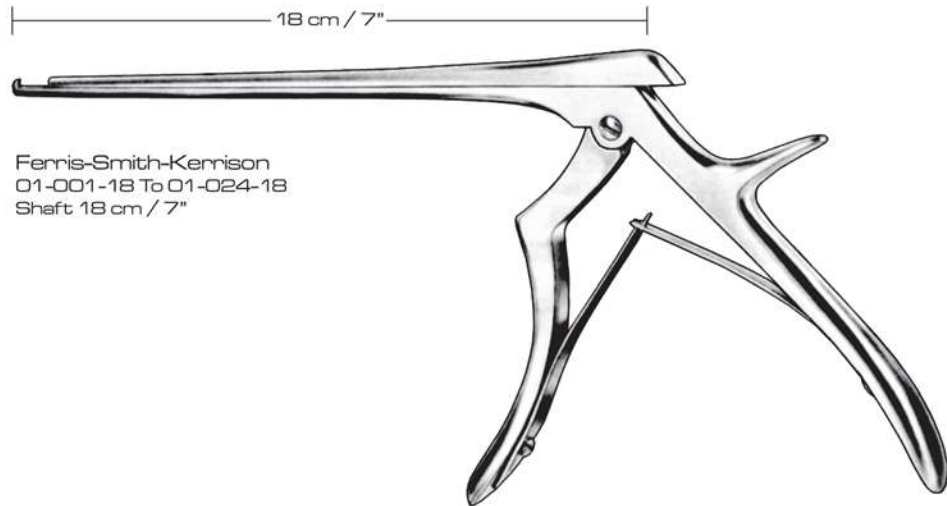




OGE
ORTHOGENT
ENGINEERING

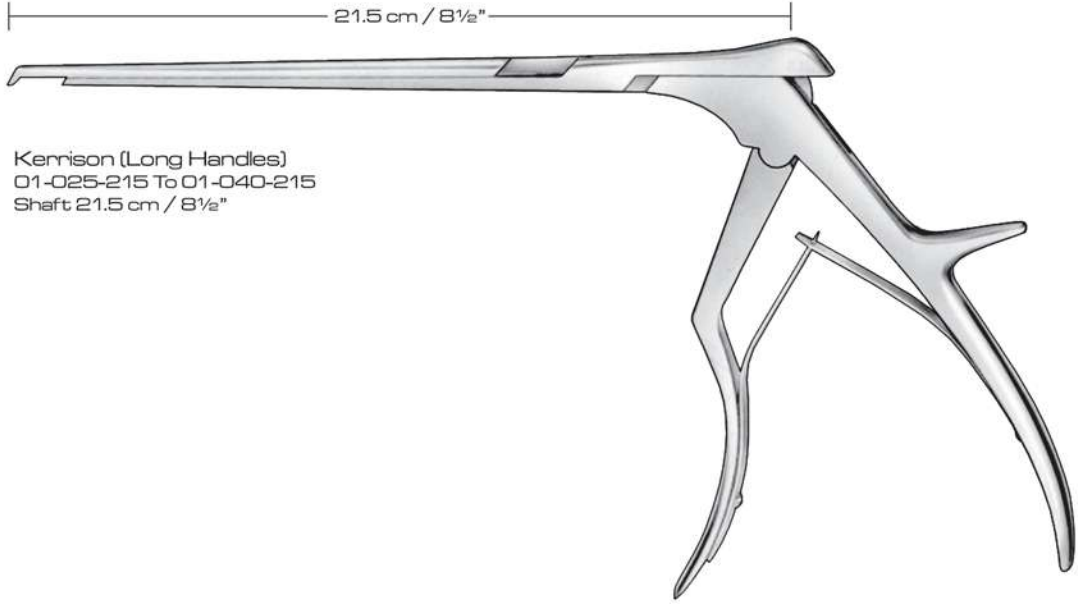
Punches, Rongeurs, Crocodiles, Scissors, Biopsy Instruments

01



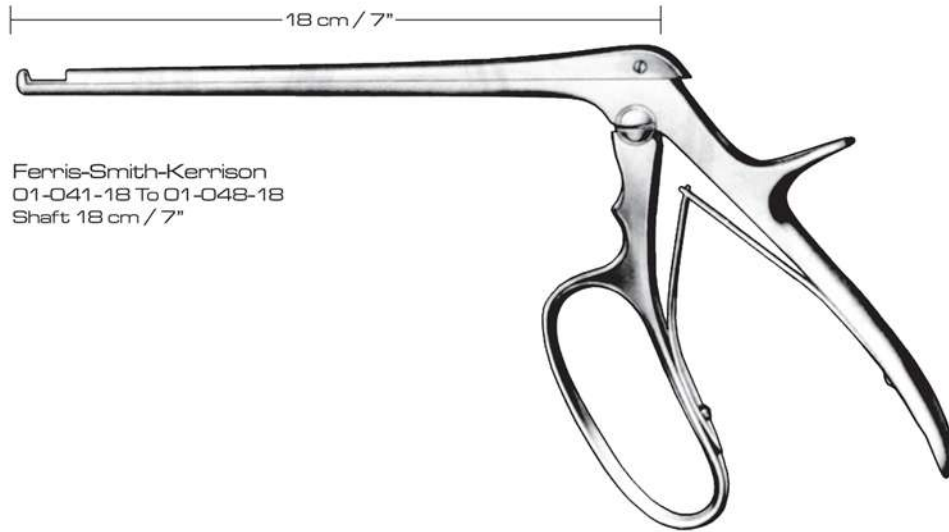
Ferris-Smith-Kemison
 01-001-18 To 01-024-18
 Shaft 18 cm / 7"

1/1		01-001-18 1 X 2 mm	1/1		01-007-18 1 X 2 mm
1/1		01-002-18 2 X 2 mm	1/1		01-008-18 2 X 3 mm
1/1		01-003-18 3 X 3 mm	1/1		01-009-18 3 X 4 mm
1/1		01-004-18 4 X 3 mm	1/1		01-010-18 4 X 4 mm
1/1		01-005-18 5 X 3 mm	1/1		01-011-18 5 X 5 mm
1/1		01-006-18 6 X 4 mm	1/1		01-012-18 6 X 5 mm
1/1		01-013-18 1 X 2 mm	1/1		01-019-18 1 X 2 mm
1/1		01-014-18 2 X 2 mm	1/1		01-020-18 2 X 3 mm
1/1		01-015-18 3 X 3 mm	1/1		01-021-18 3 X 4 mm
1/1		01-016-18 4 X 3 mm	1/1		01-022-18 4 X 4 mm
1/1		01-017-18 5 X 3 mm	1/1		01-023-18 5 X 5 mm
1/1		01-018-18 6 X 4 mm	1/1		01-024-18 6 X 5 mm



Kerrison (Long Handles)
 01-025-215 To 01-040-215
 Shaft 21.5 cm / 8 1/2"

1/1		01-025-215 2 X 2 mm	1/1		01-029-215 2 X 2 mm
1/1		01-026-215 3 X 3 mm	1/1		01-030-215 3 X 3 mm
1/1		01-027-215 4 X 3 mm	1/1		01-031-215 4 X 3 mm
1/1		01-028-215 5 X 3 mm	1/1		01-032-215 5 X 3 mm
1/1		01-033-215 2 X 3 mm	1/1		01-037-215 2 X 3 mm
1/1		01-034-215 3 X 4 mm	1/1		01-038-215 3 X 4 mm
1/1		01-035-215 4 X 4 mm	1/1		01-039-215 4 X 4 mm
1/1		01-036-215 5 X 5 mm	1/1		01-040-215 5 X 5 mm



Ferris-Smith-Kerrison
01-041-18 To 01-048-18
Shaft 18 cm / 7"

1/1 01-041-18
5 X 3 mm

1/1 01-045-18
5 X 3 mm

1/1 01-042-18
5 X 5 mm

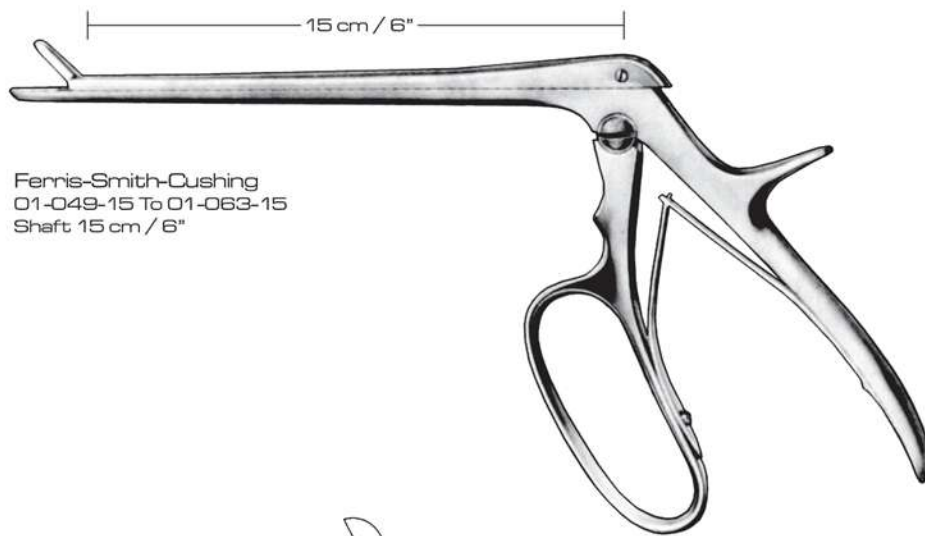
1/1 01-046-18
5 X 5 mm

1/1 01-043-18
3 X 3 mm

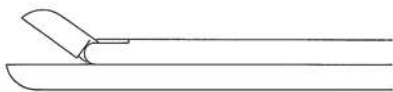
1/1 01-047-18
3 X 3 mm

1/1 01-044-18
5 X 4 mm

1/1 01-048-18
5 X 4 mm



Ferris-Smith-Cushing
01-049-15 To 01-063-15
Shaft 15 cm / 6"



1/1 01-049-15
2 X 10 mm

1/1 01-050-15
3 X 10 mm

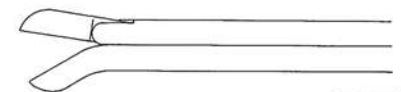
1/1 01-051-15
4 X 10 mm



1/1 01-054-15
2 X 10 mm

1/1 01-055-15
3 X 10 mm

1/1 01-056-15
4 X 10 mm



1/1 01-059-15
2 X 10 mm

1/1 01-060-15
3 X 10 mm

1/1 01-061-15
4 X 10 mm

1/1 01-052-15
5 X 10 mm

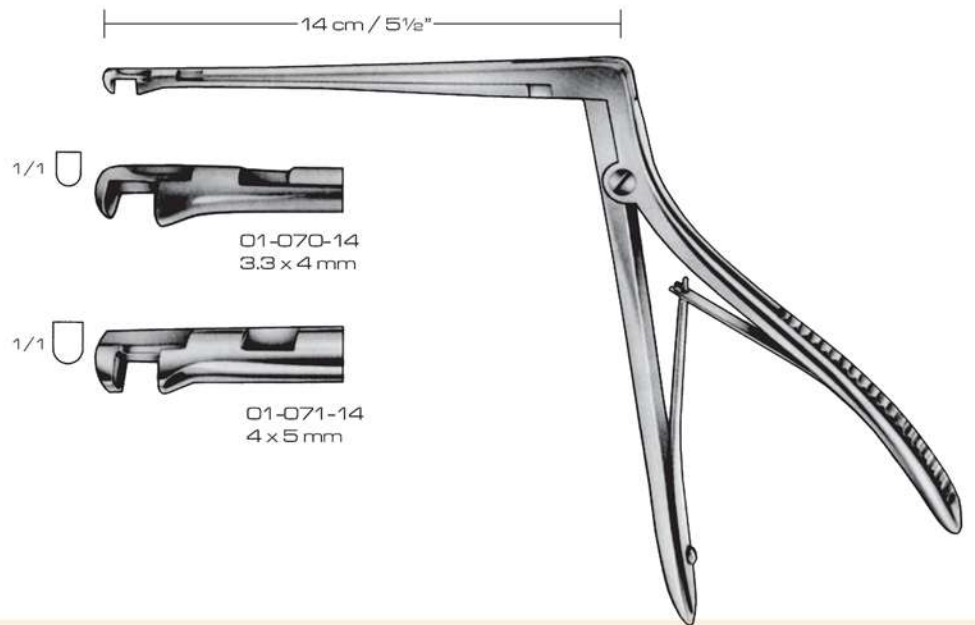
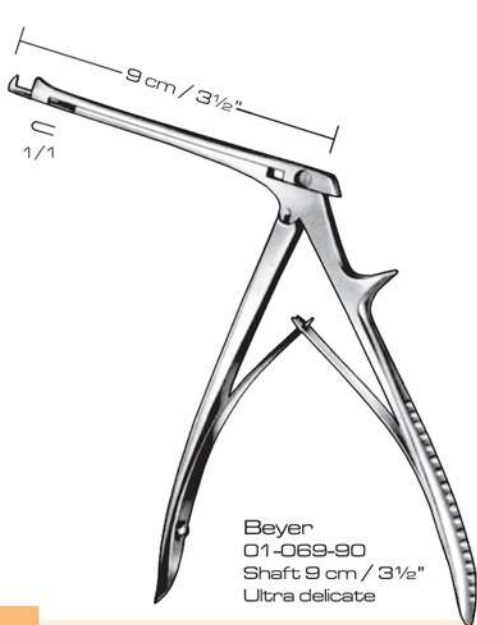
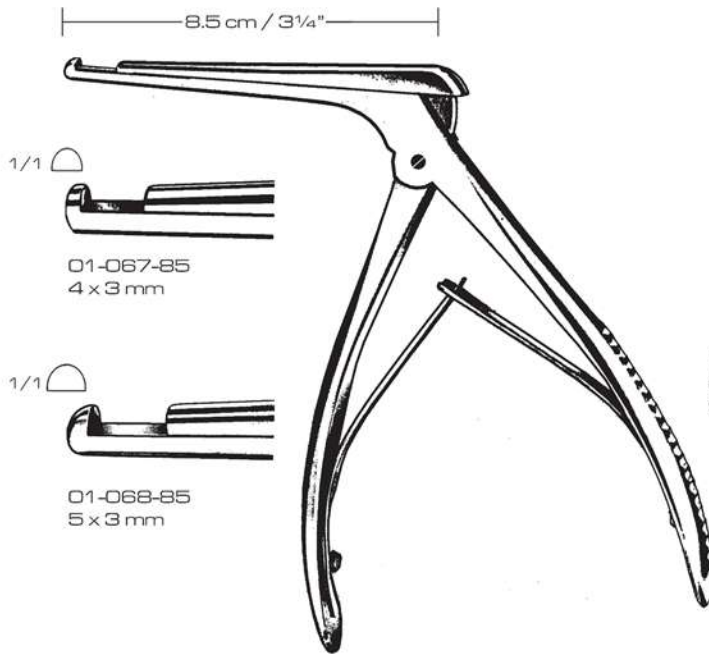
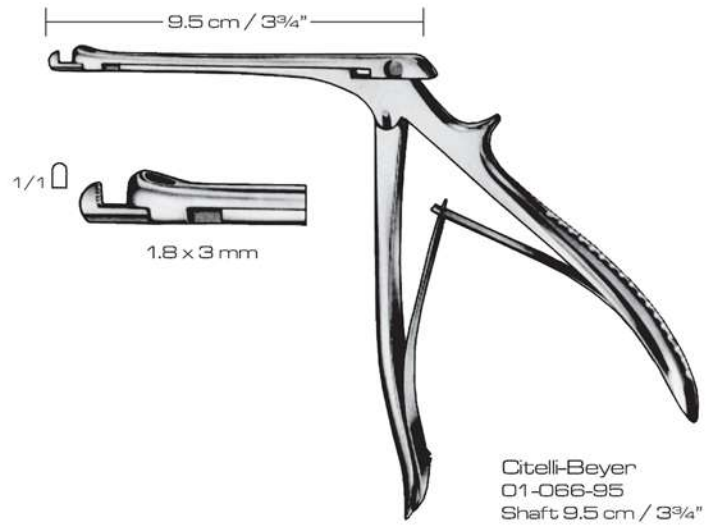
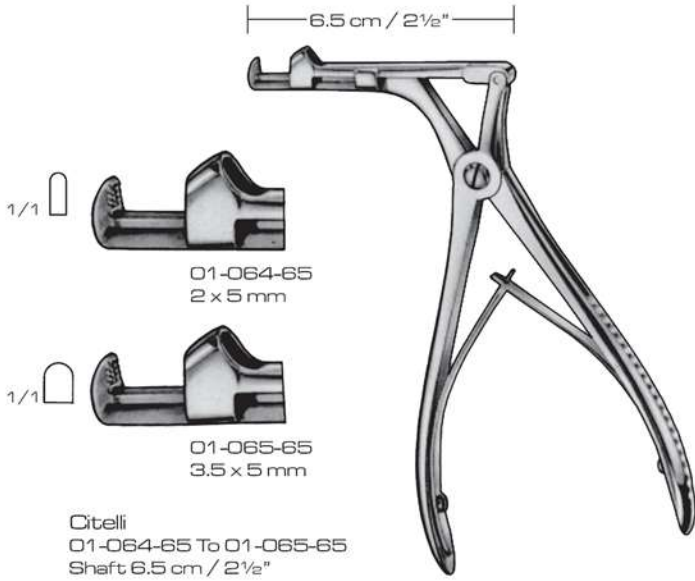
1/1 01-053-15
6 X 10 mm

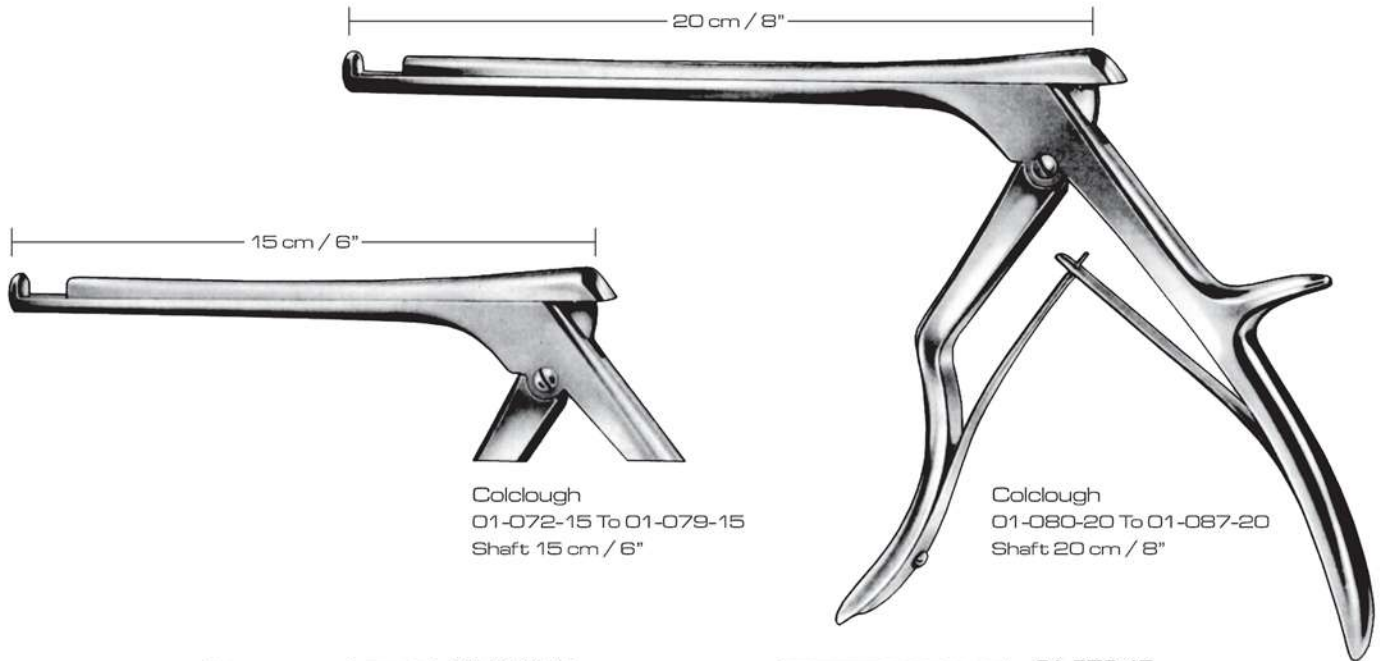
1/1 01-057-15
5 X 10 mm

1/1 01-058-15
6 X 10 mm

1/1 01-062-15
5 X 10 mm

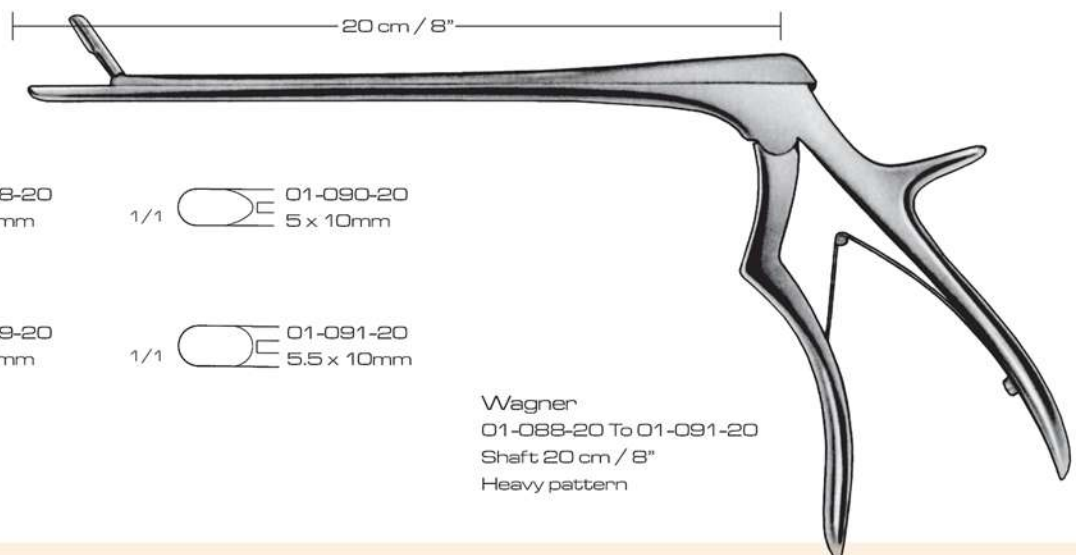
1/1 01-063-15
6 X 10 mm





Colclough
01-072-15 To 01-079-15
Shaft 15 cm / 6"

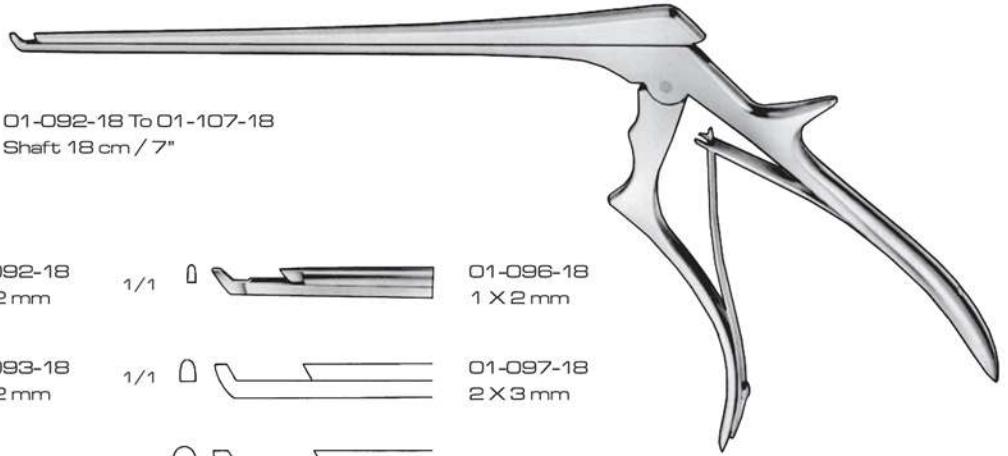
Colclough
01-080-20 To 01-087-20
Shaft 20 cm / 8"



Wagner
01-088-20 To 01-091-20
Shaft 20 cm / 8"
Heavy pattern

18 cm / 7"

01-092-18 To 01-107-18
Shaft 18 cm / 7"



01-092-18
1 X 2 mm



01-096-18
1 X 2 mm



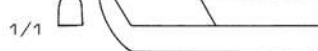
01-093-18
2 X 2 mm



01-097-18
2 X 3 mm



01-094-18
3 X 3 mm



01-098-18
3 X 4 mm



01-095-18
4 X 3 mm



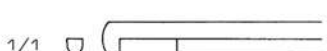
01-099-18
4 X 4 mm



01-100-18
1 X 2 mm



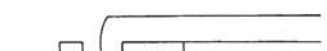
01-104-18
1 X 2 mm



01-101-18
2 X 2 mm



01-105-18
2 X 3 mm



01-102-18
3 X 3 mm



01-106-18
3 X 4 mm

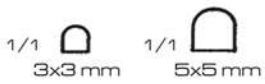


01-103-18
4 X 3 mm

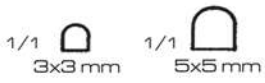


01-107-18
4 X 4 mm

15 cm / 6"



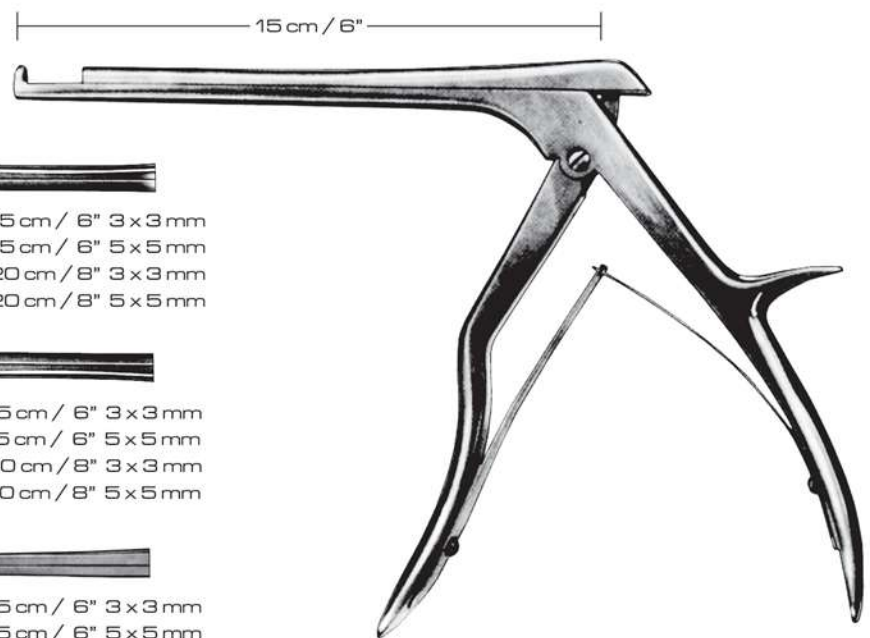
01-108-15 Shaft 15 cm / 6" 3 x 3 mm
01-109-15 Shaft 15 cm / 6" 5 x 5 mm
01-108-20 Shaft 20 cm / 8" 3 x 3 mm
01-109-20 Shaft 20 cm / 8" 5 x 5 mm



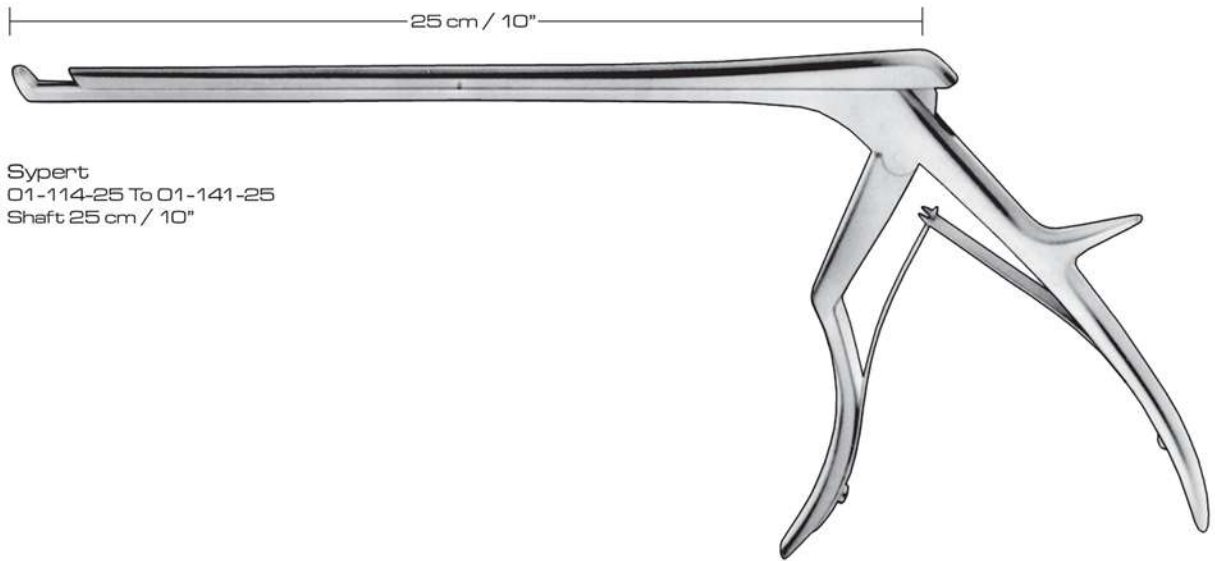
01-110-15 Shaft 15 cm / 6" 3 x 3 mm
01-111-15 Shaft 15 cm / 6" 5 x 5 mm
01-110-20 Shaft 20 cm / 8" 3 x 3 mm
01-111-20 Shaft 20 cm / 8" 5 x 5 mm



01-112-15 Shaft 15 cm / 6" 3 x 3 mm
01-113-15 Shaft 15 cm / 6" 5 x 5 mm
01-112-20 Shaft 20 cm / 8" 3 x 3 mm
01-113-20 Shaft 20 cm / 8" 5 x 5 mm



Schlessinger (Long Handles)
01-108-15 To 01-113-15
01-108-20 To 01-113-20

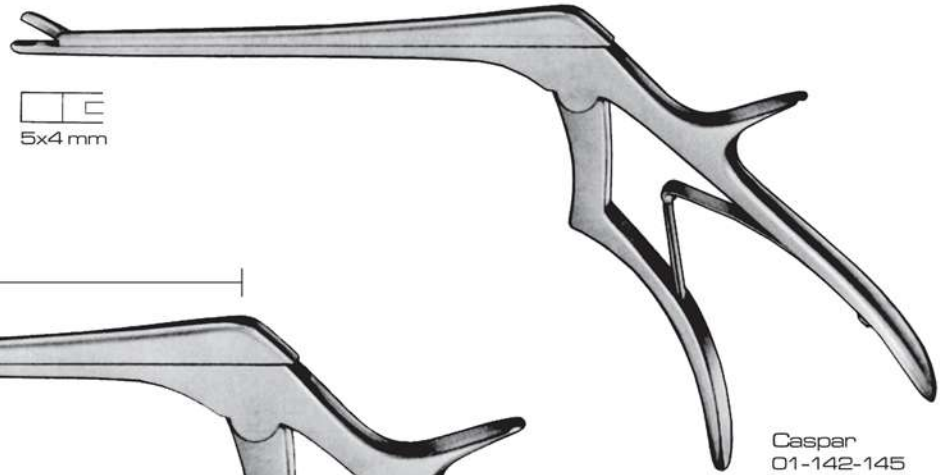


Sypernt
01-114-25 To 01-141-25
Shaft 25 cm / 10"

1/1		01-114-25 1 X 2 mm	1/1		01-121-25 1 X 2 mm
1/1		01-115-25 2 X 2 mm	1/1		01-122-25 2 X 3 mm
1/1		01-116-25 3 X 3 mm	1/1		01-123-25 3 X 4 mm
1/1		01-117-25 4 X 3 mm	1/1		01-124-25 4 X 4 mm
1/1		01-118-25 5 X 3 mm	1/1		01-125-25 5 X 5 mm
1/1		01-119-25 6 X 4 mm	1/1		01-126-25 6 X 5 mm
1/1		01-120-25 5.5 X 8 mm	1/1		01-127-25 5.5 X 8 mm
1/1		01-128-25 1 X 2 mm	1/1		01-135-25 1 X 2 mm
1/1		01-129-25 2 X 2 mm	1/1		01-136-25 2 X 3 mm
1/1		01-130-25 3 X 3 mm	1/1		01-137-25 3 X 4 mm
1/1		01-131-25 4 X 3 mm	1/1		01-138-25 4 X 4 mm
1/1		01-132-25 5 X 3 mm	1/1		01-139-25 5 X 5 mm
1/1		01-133-25 6 X 4 mm	1/1		01-140-25 6 X 5 mm
1/1		01-134-25 5.5 X 8 mm	1/1		01-141-25 5.5 X 8 mm

14.5 cm / 5 3/4"

1/1
5x4 mm



Caspar
01-142-145
Shaft 14.5 cm / 5 3/4"

18 cm / 7"

1/1
5x4 mm



Caspar
01-143-18
Shaft 18 cm / 7"

18 cm / 7"

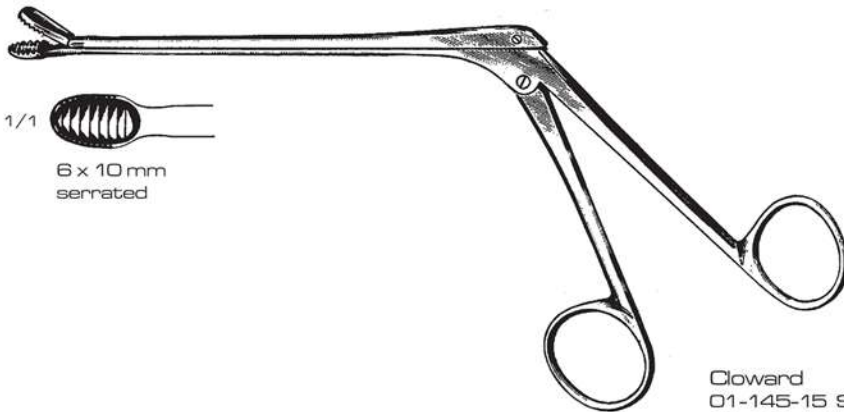
1/1
7 mm Ø



Oldberg
01-144-18
Shaft 18 cm / 7"

15 cm / 6"

1/1
6 x 10 mm
serrated



Cloward
01-145-15 Str
01-146-15 Upward
01-147-15 Downward
Shaft 15 cm / 6"



Caspar
01-148-125 To 01-159-185



01-148-125 Shaft 12.5 cm / 5"
01-148-14 Shaft 14 cm / 5½"
01-148-16 Shaft 16 cm / 6¼"
01-148-185 Shaft 18.5 cm / 7¼"
2 x 10 mm



01-149-125 Shaft 12.5 cm / 5"
01-149-14 Shaft 14 cm / 5½"
01-149-16 Shaft 16 cm / 6¼"
01-149-185 Shaft 18.5 cm / 7¼"
2 x 10 mm



01-150-125 Shaft 12.5 cm / 5"
01-150-14 Shaft 14 cm / 5½"
01-150-16 Shaft 16 cm / 6¼"
01-150-185 Shaft 18.5 cm / 7¼"
2 x 10 mm



01-151-125 Shaft 12.5 cm / 5"
01-151-14 Shaft 14 cm / 5½"
01-151-16 Shaft 16 cm / 6¼"
01-151-185 Shaft 18.5 cm / 7¼"
3 x 10 mm



01-152-125 Shaft 12.5 cm / 5"
01-152-14 Shaft 14 cm / 5½"
01-152-16 Shaft 16 cm / 6¼"
01-152-185 Shaft 18.5 cm / 7¼"
3 x 10 mm



01-153-125 Shaft 12.5 cm / 5"
01-153-14 Shaft 14 cm / 5½"
01-153-16 Shaft 16 cm / 6¼"
01-153-185 Shaft 18.5 cm / 7¼"
3 x 10 mm



01-154-125 Shaft 12.5 cm / 5"
01-154-14 Shaft 14 cm / 5½"
01-154-16 Shaft 16 cm / 6¼"
01-154-185 Shaft 18.5 cm / 7¼"
4 x 10 mm



01-155-125 Shaft 12.5 cm / 5"
01-155-14 Shaft 14 cm / 5½"
01-155-16 Shaft 16 cm / 6¼"
01-155-185 Shaft 18.5 cm / 7¼"
4 x 10 mm



01-156-125 Shaft 12.5 cm / 5"
01-156-14 Shaft 14 cm / 5½"
01-156-16 Shaft 16 cm / 6¼"
01-156-185 Shaft 18.5 cm / 7¼"
4 x 10 mm



01-157-125 Shaft 12.5 cm / 5"
01-157-14 Shaft 14 cm / 5½"
01-157-16 Shaft 16 cm / 6¼"
01-157-185 Shaft 18.5 cm / 7¼"
5 x 10 mm



01-158-125 Shaft 12.5 cm / 5"
01-158-14 Shaft 14 cm / 5½"
01-158-16 Shaft 16 cm / 6¼"
01-158-185 Shaft 18.5 cm / 7¼"
5 x 10 mm



01-159-125 Shaft 12.5 cm / 5"
01-159-14 Shaft 14 cm / 5½"
01-159-16 Shaft 16 cm / 6¼"
01-159-185 Shaft 18.5 cm / 7¼"
5 x 10 mm



Caspar
01-160-125 To 01-174-185



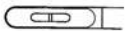
01-160-125 Shaft 12.5 cm / 5"
01-160-14 Shaft 14 cm / 5½"
01-160-16 Shaft 16 cm / 6¼"
01-160-185 Shaft 18.5 cm / 7¼"
2 x 12 mm serrated



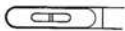
01-161-125 Shaft 12.5 cm / 5"
01-161-14 Shaft 14 cm / 5½"
01-161-16 Shaft 16 cm / 6¼"
01-161-185 Shaft 18.5 cm / 7¼"
2 x 12 mm serrated



01-162-125 Shaft 12.5 cm / 5"
01-162-14 Shaft 14 cm / 5½"
01-162-16 Shaft 16 cm / 6¼"
01-162-185 Shaft 18.5 cm / 7¼"
2 x 12 mm serrated



01-163-125 Shaft 12.5 cm / 5"
01-163-14 Shaft 14 cm / 5½"
01-163-16 Shaft 16 cm / 6¼"
01-163-185 Shaft 18.5 cm / 7¼"
3 x 12 mm serrated



01-164-125 Shaft 12.5 cm / 5"
01-164-14 Shaft 14 cm / 5½"
01-164-16 Shaft 16 cm / 6¼"
01-164-185 Shaft 18.5 cm / 7¼"
3 x 12 mm serrated



01-165-125 Shaft 12.5 cm / 5"
01-165-14 Shaft 14 cm / 5½"
01-165-16 Shaft 16 cm / 6¼"
01-165-185 Shaft 18.5 cm / 7¼"
3 x 12 mm serrated



01-166-125 Shaft 12.5 cm / 5"
01-166-14 Shaft 14 cm / 5½"
01-166-16 Shaft 16 cm / 6¼"
01-166-185 Shaft 18.5 cm / 7¼"
4 x 12 mm serrated



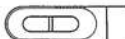
01-167-125 Shaft 12.5 cm / 5"
01-167-14 Shaft 14 cm / 5½"
01-167-16 Shaft 16 cm / 6¼"
01-167-185 Shaft 18.5 cm / 7¼"
4 x 12 mm serrated



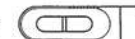
01-168-125 Shaft 12.5 cm / 5"
01-168-14 Shaft 14 cm / 5½"
01-168-16 Shaft 16 cm / 6¼"
01-168-185 Shaft 18.5 cm / 7¼"
4 x 12 mm serrated



01-169-125 Shaft 12.5 cm / 5"
01-169-14 Shaft 14 cm / 5½"
01-169-16 Shaft 16 cm / 6¼"
01-169-185 Shaft 18.5 cm / 7¼"
5 x 12 mm serrated



01-170-125 Shaft 12.5 cm / 5"
01-170-14 Shaft 14 cm / 5½"
01-170-16 Shaft 16 cm / 6¼"
01-170-185 Shaft 18.5 cm / 7¼"
5 x 12 mm serrated



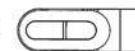
01-171-125 Shaft 12.5 cm / 5"
01-171-14 Shaft 14 cm / 5½"
01-171-16 Shaft 16 cm / 6¼"
01-171-185 Shaft 18.5 cm / 7¼"
5 x 12 mm serrated



01-172-125 Shaft 12.5 cm / 5"
01-172-14 Shaft 14 cm / 5½"
01-172-16 Shaft 16 cm / 6¼"
01-172-185 Shaft 18.5 cm / 7¼"
6 x 12 mm serrated

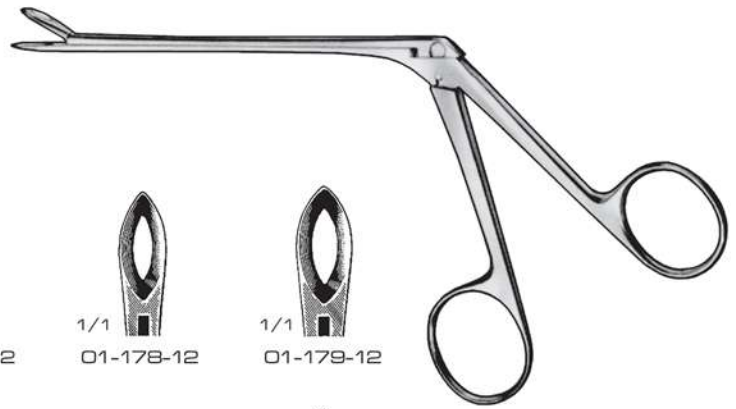


01-173-125 Shaft 12.5 cm / 5"
01-173-14 Shaft 14 cm / 5½"
01-173-16 Shaft 16 cm / 6¼"
01-173-185 Shaft 18.5 cm / 7¼"
6 x 12 mm serrated



01-172-125 Shaft 12.5 cm / 5"
01-172-14 Shaft 14 cm / 5½"
01-172-16 Shaft 16 cm / 6¼"
01-172-185 Shaft 18.5 cm / 7¼"
6 x 12 mm serrated

12 cm / 4¾"



Schlessinger
01-175-12 To 01-184-12
Shaft 12 cm / 4¾"



Without neck



1/1
01-175-12



1/1
01-176-12



1/1
01-177-12



1/1
01-178-12



1/1
01-179-12



With neck



1/1
01-180-12



1/1
01-181-12



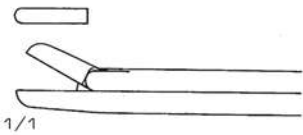
1/1
01-182-12



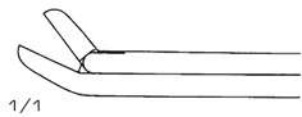
1/1
01-183-12



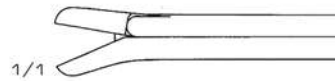
1/1
01-184-12



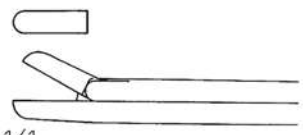
1/1
Cushing
01-185-12 Shaft 12 cm / 4¾"
01-185-15 Shaft 15 cm / 6"
01-185-18 Shaft 18 cm / 7"
2 x 10mm



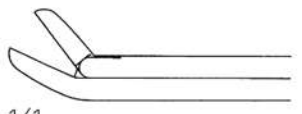
1/1
Cushing
01-186-12 Shaft 12 cm / 4¾"
01-186-15 Shaft 15 cm / 6"
01-186-18 Shaft 18 cm / 7"
2 x 10mm



1/1
Cushing
01-187-12 Shaft 12 cm / 4¾"
01-187-15 Shaft 15 cm / 6"
01-187-18 Shaft 18 cm / 7"
2 x 10mm



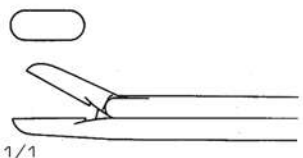
1/1
Love-Gruenwald
01-188-12 Shaft 12 cm / 4¾"
01-188-15 Shaft 15 cm / 6"
01-188-18 Shaft 18 cm / 7"
3 x 10mm



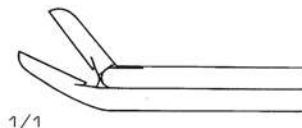
1/1
Love-Gruenwald
01-189-12 Shaft 12 cm / 4¾"
01-189-15 Shaft 15 cm / 6"
01-189-18 Shaft 18 cm / 7"
3 x 10mm



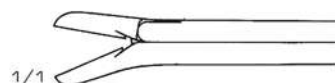
1/1
Love-Gruenwald
01-190-12 Shaft 12 cm / 4¾"
01-190-15 Shaft 15 cm / 6"
01-190-18 Shaft 18 cm / 7"
3 x 10mm



1/1
Spurling
01-191-12 Shaft 12 cm / 4¾"
01-191-15 Shaft 15 cm / 6"
01-191-18 Shaft 18 cm / 7"
4 x 10mm

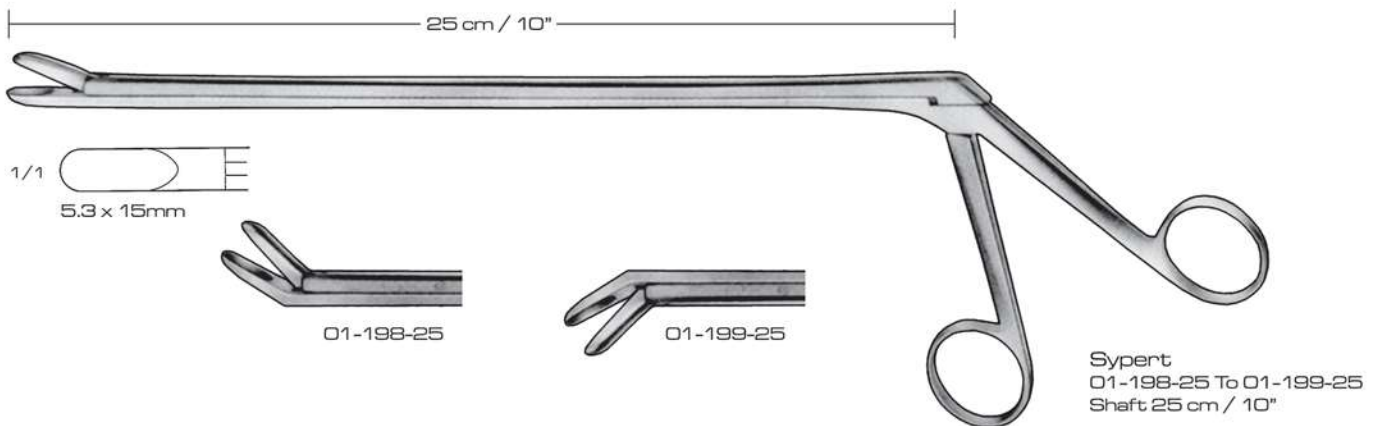
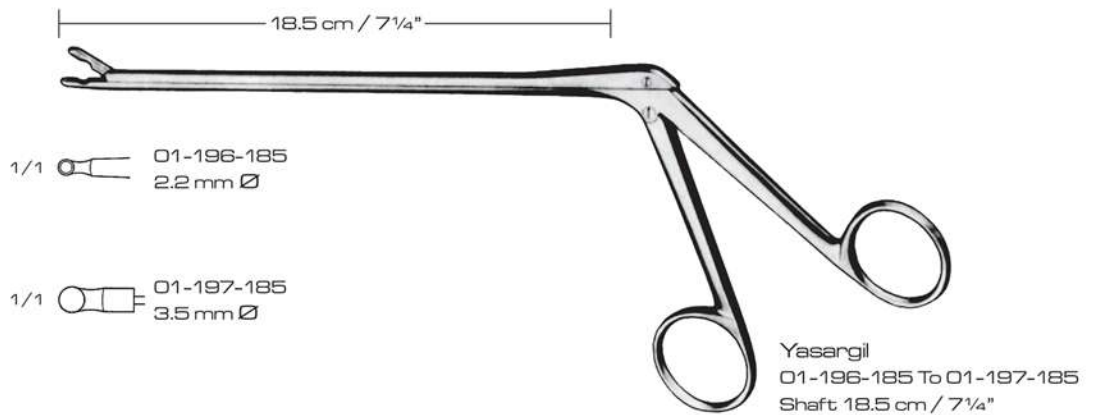
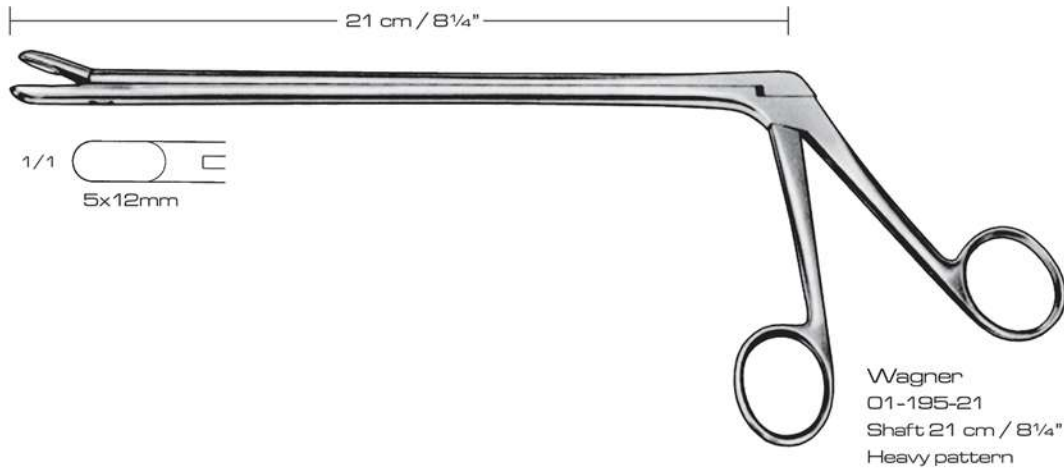
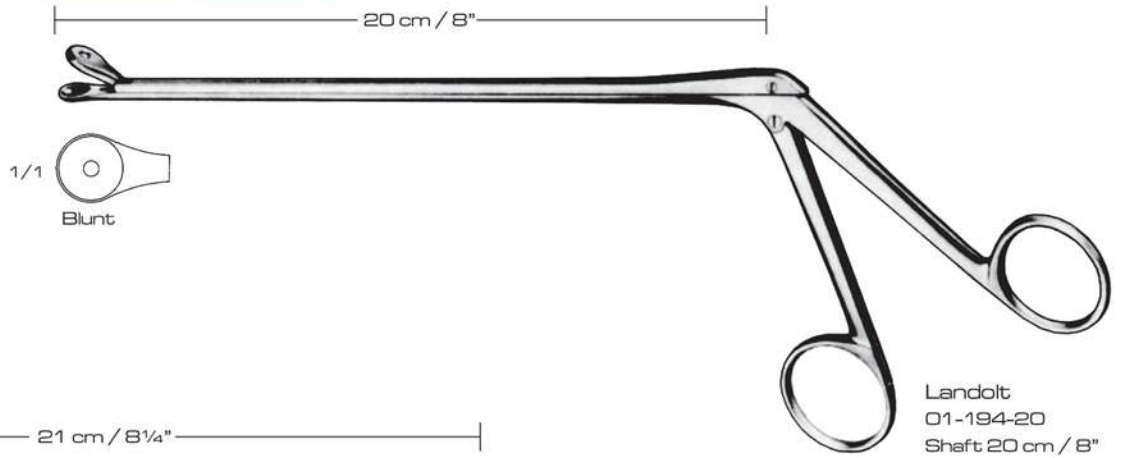


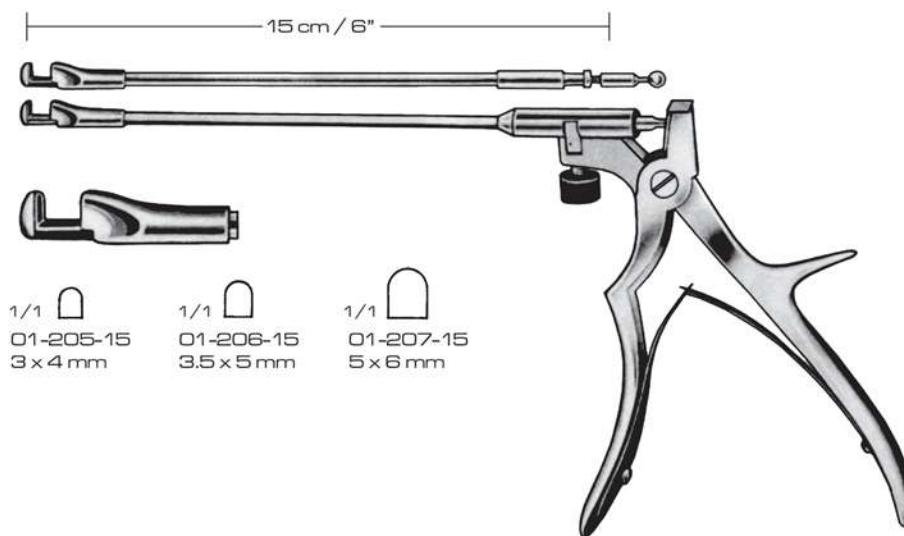
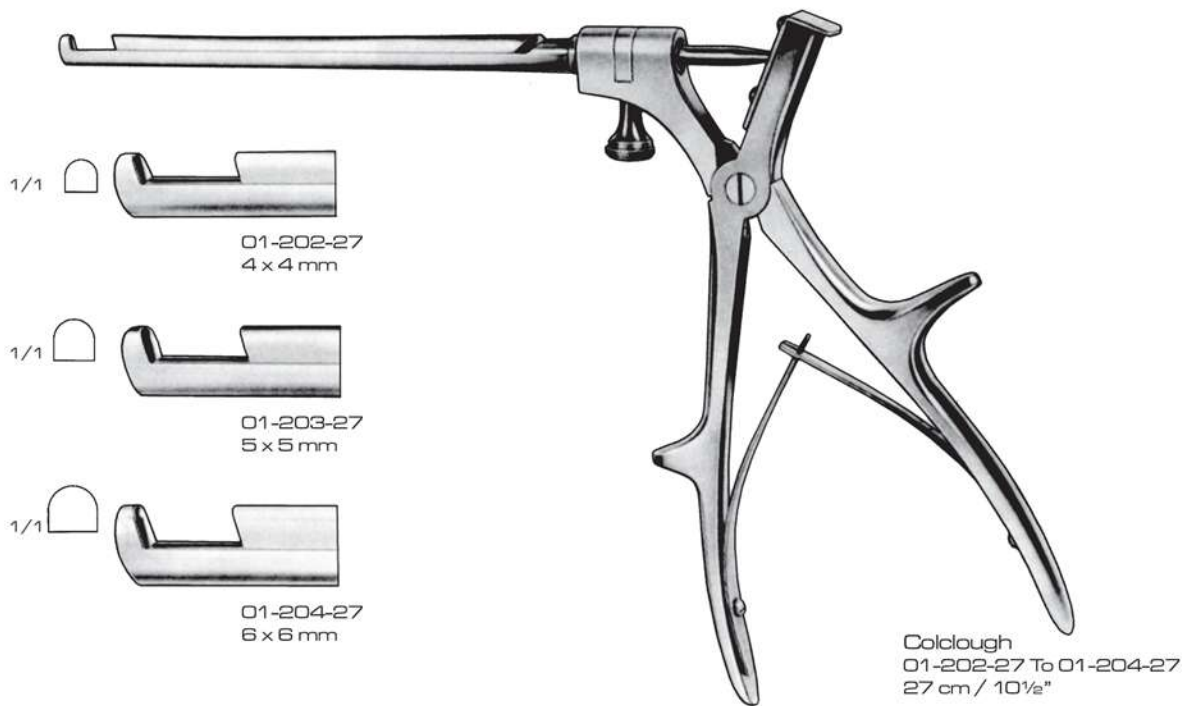
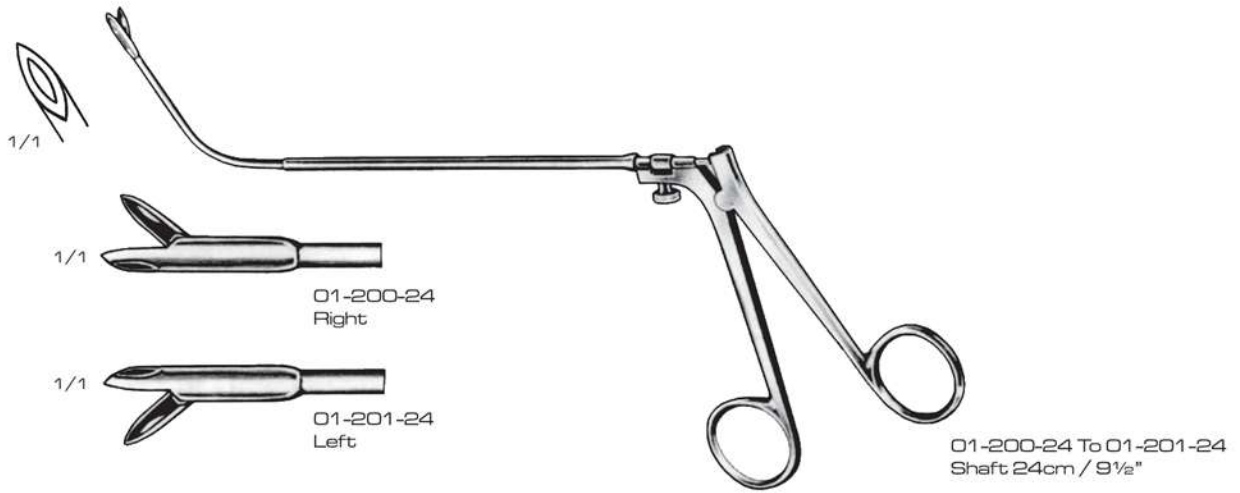
1/1
Spurling
01-192-12 Shaft 12 cm / 4¾"
01-192-15 Shaft 15 cm / 6"
01-192-18 Shaft 18 cm / 7"
4 x 10mm



1/1
Spurling
01-193-12 Shaft 12 cm / 4¾"
01-193-15 Shaft 15 cm / 6"
01-193-18 Shaft 18 cm / 7"
4 x 10mm

01-185-12 To 01-193-18





Ferris-Smith
01-205-15 To 01-207-15
Shaft 15 cm / 6"



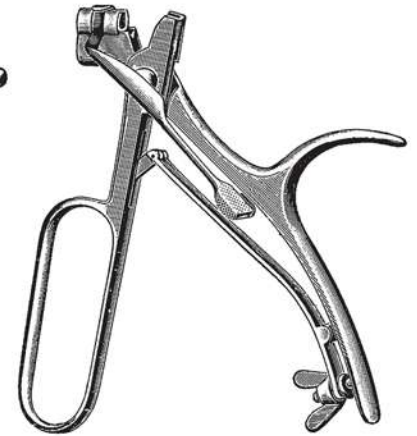
01-209-20 20cm / 8"
 01-209-30 30cm / 12"
 01-209-40 40cm / 16"
 01-209-50 50cm / 20"
 01-209-60 60cm / 24"



01-210-20 20cm / 8"
 01-210-30 30cm / 12"
 01-210-40 40cm / 16"
 01-210-50 50cm / 20"
 01-210-60 60cm / 24"



01-211-20 20cm / 8"
 01-211-30 30cm / 12"
 01-211-40 40cm / 16"
 01-211-50 50cm / 20"
 01-211-60 60cm / 24"



Huber (Only Handle)
 01-208-00
 Available with tube
 01-209-00 To 01-211-00
 Available with tip
 01-212-00 To 01-230-00



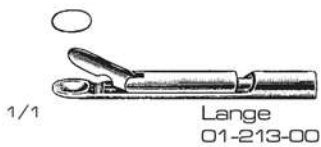
1/1 Fraenkel
 01-212-00



1/1 Fraenkel
 01-219-00



1/1 Fraenkel
 01-225-00



1/1 Lange
 01-213-00



1/1 Fraenkel
 01-220-00



1/1 Scheinmann
 01-226-00



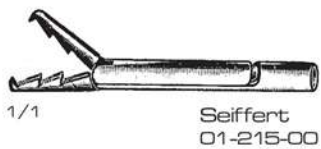
1/1 Krause
 01-214-00



1/1 Scheinmann
 01-221-00



1/1 Ecken
 01-227-00



1/1 Seiffert
 01-215-00



1/1 Bruenings
 01-222-00 3 mm Ø
 01-223-00 4 mm Ø



1/1 Bruenings
 01-228-00 3 mm Ø
 01-229-00 4 mm Ø



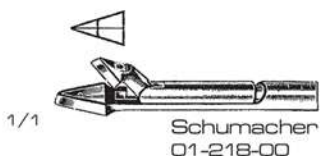
1/1 Bruenings
 01-216-00 2.5 x 5 mm
 01-217-00 3 x 6 mm



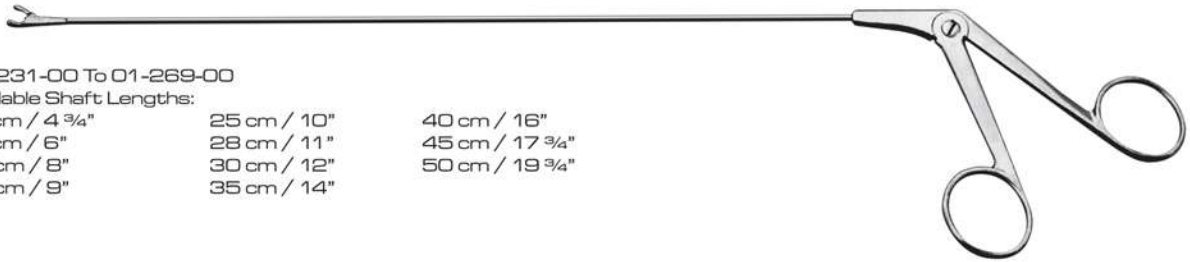
1/1 Krause
 01-224-00



1/1 Krause
 01-230-00



1/1 Schumacher
 01-218-00



01-231-00 To 01-269-00

Available Shaft Lengths:

12 cm / 4 3/4"	25 cm / 10"	40 cm / 16"
15 cm / 6"	28 cm / 11"	45 cm / 17 3/4"
20 cm / 8"	30 cm / 12"	50 cm / 19 3/4"
23 cm / 9"	35 cm / 14"	



Jaw Length 8mm
Jaw Width 2mm
01-231-00 Str
01-232-00 Upward
01-233-00 Cur to left
01-234-00 Cur to right



Blade Length 8mm
Blade Width 2mm
01-235-00 Str
01-236-00 Upward
01-237-00 Cur to left
01-238-00 Cur to right



Cup Size 2mm
01-239-00 Str
01-240-00 Upward
01-241-00 Cur to left
01-242-00 Cur to right



Oval Cup Size 2 x 4mm
01-243-00 Str
01-244-00 Upward
01-245-00 Cur to left
01-246-00 Cur to right



Groove Size 2 x 4mm
01-247-00 Str
01-248-00 Upward
01-249-00 Cur to left
01-250-00 Cur to right



Jaw Length 8mm
Jaw Width 2mm
01-251-00 Str
01-252-00 Upward
01-253-00 Cur to left
01-254-00 Cur to right



Fenestrated and serrated Jaws
01-255-00 Str
01-256-00 Upward
01-257-00 Cur to left
01-258-00 Cur to right



Needle holder
01-259-00 Str
01-260-00 Upward
01-261-00 Cur to left
01-262-00 Cur to right

Double Action Jaws



01-263-00 Str



01-264-00 Str



01-265-00 Str



01-266-00 Str



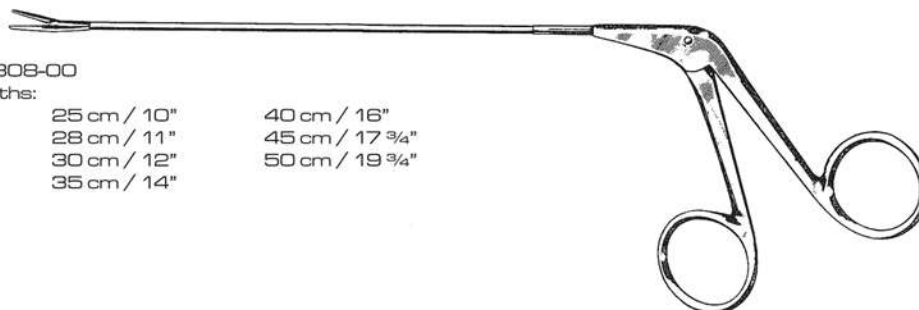
01-267-00 Str



01-268-00 Str



01-269-00 Str



01-270-00 To 01-308-00

Available Shaft Lengths:

12 cm / 4 3/4"	25 cm / 10"	40 cm / 16"
15 cm / 6"	28 cm / 11"	45 cm / 17 3/4"
20 cm / 8"	30 cm / 12"	50 cm / 19 3/4"
23 cm / 9"	35 cm / 14"	



Jaw Length 8mm
Jaw Width 2mm
01-270-00 Str
01-271-00 Upward
01-272-00 Cur to left
01-273-00 Cur to right



Blade Length 8mm
Blade Width 2mm
01-274-00 Str
01-275-00 Upward
01-276-00 Cur to left
01-277-00 Cur to right



Cup Size 2mm
01-278-00 Str
01-279-00 Upward
01-280-00 Cur to left
01-281-00 Cur to right



Oval Cup Size 2 x 4mm
01-282-00 Str
01-283-00 Upward
01-284-00 Cur to left
01-285-00 Cur to right



Groove Size 2 x 4mm
01-286-00 Str
01-287-00 Upward
01-288-00 Cur to left
01-289-00 Cur to right



Jaw Length 8mm
Jaw Width 2mm
01-290-00 Str
01-291-00 Upward
01-292-00 Cur to left
01-293-00 Cur to right



Fenestrated and serrated Jaws
01-294-00 Str
01-295-00 Upward
01-296-00 Cur to left
01-297-00 Cur to right



Needle holder
01-298-00 Str
01-299-00 Upward
01-300-00 Cur to left
01-301-00 Cur to right

Double Action Jaws



01-302-00 Str



01-303-00 Str



01-304-00 Str



01-305-00 Str



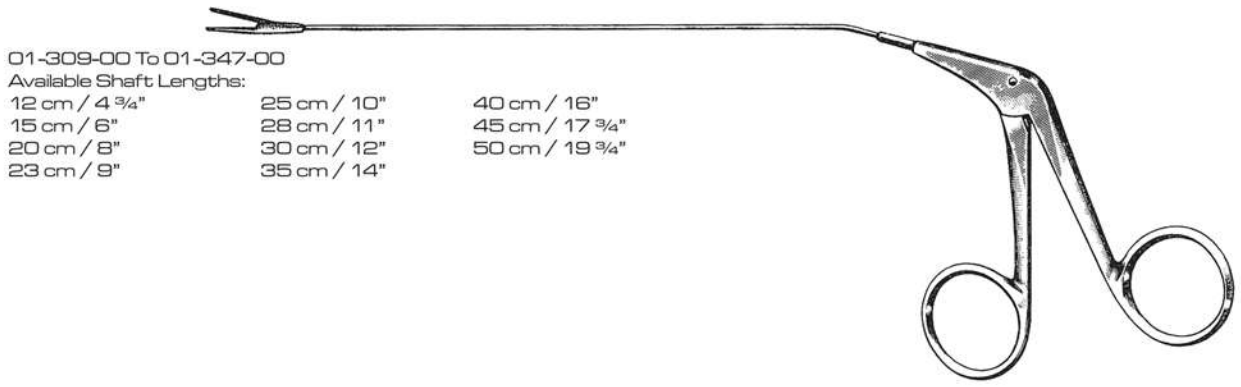
01-306-00 Str



01-307-00 Str



01-308-00 Str



01-309-00 To 01-347-00

Available Shaft Lengths:

12 cm / 4 3/4"	25 cm / 10"	40 cm / 16"
15 cm / 6"	28 cm / 11"	45 cm / 17 3/4"
20 cm / 8"	30 cm / 12"	50 cm / 19 3/4"
23 cm / 9"	35 cm / 14"	



Jaw Length 8mm
Jaw Width 2mm
01-309-00 Str
01-310-00 Upward
01-311-00 Cur to left
01-312-00 Cur to right



Blade Length 8mm
Blade Width 2mm
01-313-00 Str
01-314-00 Upward
01-315-00 Cur to left
01-316-00 Cur to right



Cup Size 2mm
01-317-00 Str
01-318-00 Upward
01-319-00 Cur to left
01-320-00 Cur to right



Oval Cup Size 2 x 4mm
01-321-00 Str
01-322-00 Upward
01-323-00 Cur to left
01-324-00 Cur to right



Groove Size 2 x 4mm
01-325-00 Str
01-326-00 Upward
01-327-00 Cur to left
01-328-00 Cur to right



Jaw Length 8mm
Jaw Width 2mm
01-329-00 Str
01-330-00 Upward
01-331-00 Cur to left
01-332-00 Cur to right



Fenestrated and serrated Jaws
01-333-00 Str
01-334-00 Upward
01-335-00 Cur to left
01-336-00 Cur to right



Needle holder
01-337-00 Str
01-338-00 Upward
01-339-00 Cur to left
01-340-00 Cur to right

Double Action Jaws



01-341-00 Str



01-342-00 Str



01-343-00 Str



01-344-00 Str



01-345-00 Str



01-346-00 Str

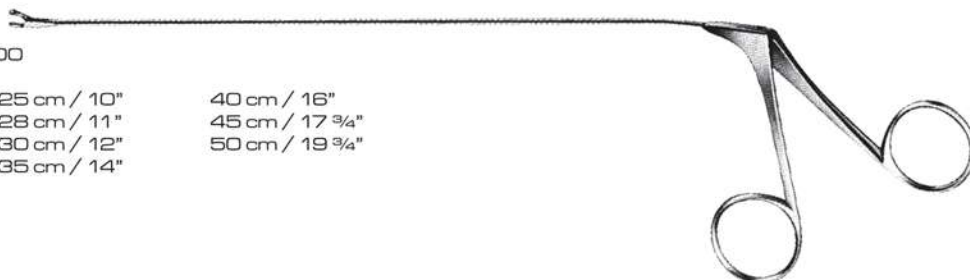


01-347-00 Str

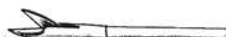
01-348-00 To 01-386-00

Available Shaft Lengths:

12 cm / 4 3/4"	25 cm / 10"	40 cm / 16"
15 cm / 6"	28 cm / 11"	45 cm / 17 3/4"
20 cm / 8"	30 cm / 12"	50 cm / 19 3/4"
23 cm / 9"	35 cm / 14"	



Jaw Length 8mm
Jaw Width 2mm
01-348-00 Str
01-349-00 Upward
01-350-00 Cur to left
01-351-00 Cur to right



Blade Length 8mm
Blade Width 2mm
01-352-00 Str
01-353-00 Upward
01-354-00 Cur to left
01-355-00 Cur to right



Cup Size 2mm
01-356-00 Str
01-357-00 Upward
01-358-00 Cur to left
01-359-00 Cur to right



Oval Cup Size 2 x 4mm
01-360-00 Str
01-361-00 Upward
01-362-00 Cur to left
01-363-00 Cur to right



Groove Size 2 x 4mm
01-364-00 Str
01-365-00 Upward
01-366-00 Cur to left
01-367-00 Cur to right



Jaw Length 8mm
Jaw Width 2mm
01-368-00 Str
01-369-00 Upward
01-370-00 Cur to left
01-371-00 Cur to right



Fenestrated and serrated Jaws
01-372-00 Str
01-373-00 Upward
01-374-00 Cur to left
01-375-00 Cur to right



Needle holder
01-376-00 Str
01-377-00 Upward
01-378-00 Cur to left
01-379-00 Cur to right

Double Action Jaws



01-380-00 Str



01-381-00 Str



01-382-00 Str



01-383-00 Str



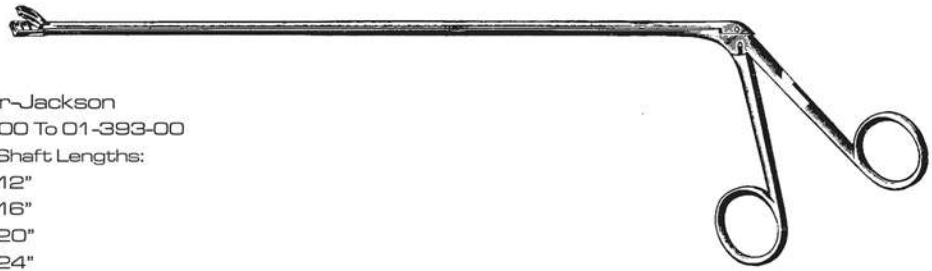
01-384-00 Str



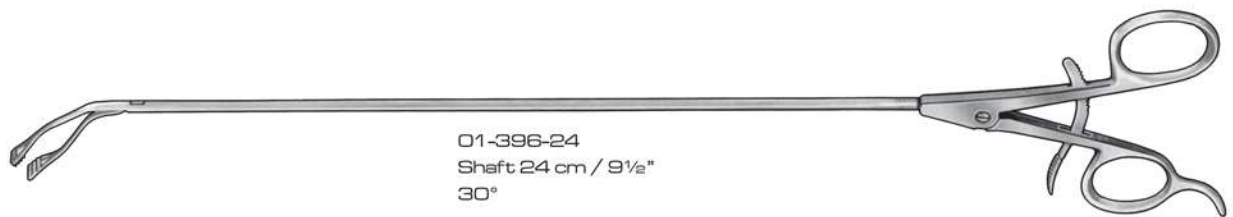
01-385-00 Str

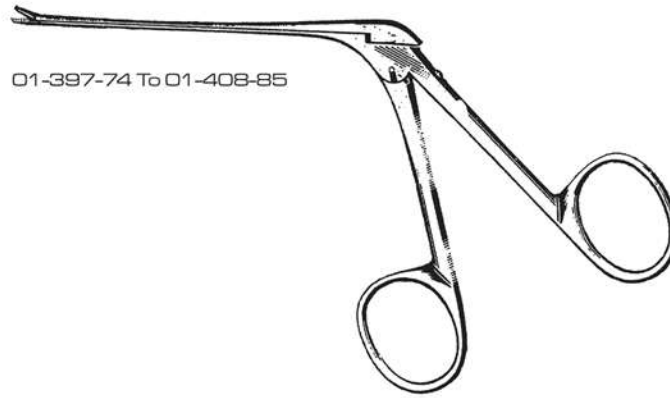


01-386-00 Str



Chevalier-Jackson
 01-387-00 To 01-393-00
 Available Shaft Lengths:
 30 cm / 12"
 40 cm / 16"
 50 cm / 20"
 60 cm / 24"





01-397-74 To 01-408-85



1/1
Hartmann
01-397-74
Shaft 7.4cm / 3"



1/1
Hartmann
01-398-74
Shaft 7.4cm / 3"



1/1
Bellucci
01-399-80
Shaft 8cm / 3 1/8"



01-400-80
Shaft 8cm / 3 1/8"



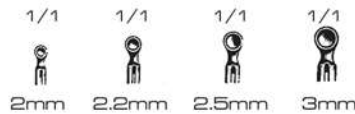
Hartmann
01-401-85
Shaft 8.5cm / 3 1/4"
01-401-14
Shaft 14cm / 5 1/2"
01-401-165
Shaft 16.5cm / 6 1/2"



Hartmann-Noyes
01-402-85
Shaft 8.5cm / 3 1/4"



Hartmann
01-403-85
Shaft 8.5cm / 3 1/4"
01-403-14
Shaft 14cm / 5 1/2"
01-403-165
Shaft 16.5cm / 6 1/2"
1 x 2 Teeth



Hartmann
01-404-20 2mm Ø
01-404-22 2.2mm Ø
01-404-25 2.5mm Ø
01-404-30 3mm Ø
Shaft 8cm / 3 1/8"



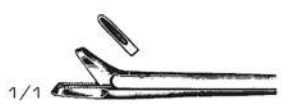
Hartmann
01-405-20 2mm Ø
01-405-22 2.2mm Ø
01-405-25 2.5mm Ø
01-405-30 3mm Ø
Shaft 8cm / 3 1/8"



Hartmann
01-406-20 2mm Ø
Shaft 8.5cm / 3 1/4"

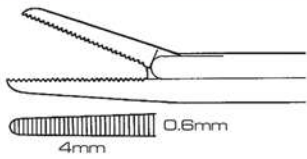


Hartmann
01-407-85
Shaft 8.5cm / 3 1/4"



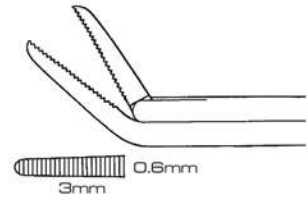
Hartmann
01-408-85
Shaft 8.5cm / 3 1/4"

MICRO EAR POLYPUS FORCEPS AND WIRE CLOSURE FORCEPS



1/1
 01-409-80
 0.6 x 4mm
 01-410-80
 0.8 x 4mm
 Str; Serrated

1/1
 01-411-80
 0.6 x 3mm
 01-412-80
 0.8 x 4mm
 Curved Upward,
 Serrated

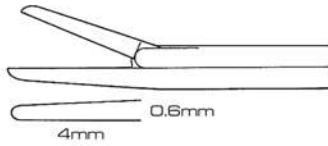


1/1
 01-413-80
 0.6 x 3mm
 01-415-80
 0.8 x 4mm
 Right, Serrated

1/1
 01-414-80
 0.6 x 3mm
 01-416-80
 0.8 x 4mm
 Left, Serrated



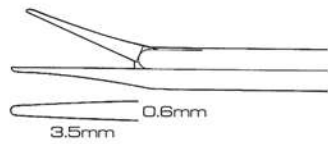
01-409-80 To 01-416-80
 Shaft 8cm / 3 1/8"



1/1
 01-417-80
 0.6 x 4mm
 Str; Smooth



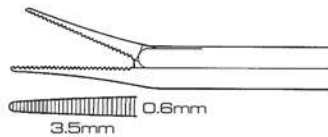
01-417-80
 Shaft 8cm / 3 1/8"



1/1
 01-418-80
 0.6 x 3.5mm
 Str; Smooth



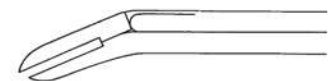
01-418-80 To 01-419-80
 Shaft 8cm / 3 1/8"



1/1
 01-419-80
 0.6 x 3.5mm
 Str; Serrated



McGee
 01-420-80 To 01-421-80
 Shaft 8cm / 3 1/8"

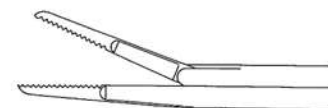


1/1
 01-420-80
 0.8 x 3.5mm

1/1
 01-421-80
 0.8 x 6mm

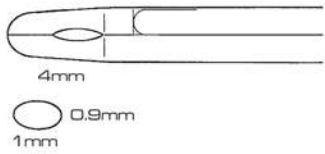


Juere
 01-422-80 To 01-423-80
 Shaft 8cm / 3 1/8"



1/1
 01-422-80
 Left

1/1
 01-423-80
 Right

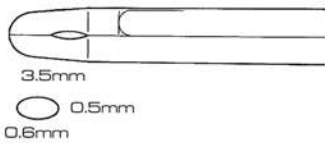


1/1
01-424-80
Str

1/1
01-425-80
Curved Upward



01-424-80 To 01-427-80
Shaft 8cm / 3 1/8"
Oval Cup 0.9 x 1mm
Jaw Length 4mm



1/1
01-426-80
Right

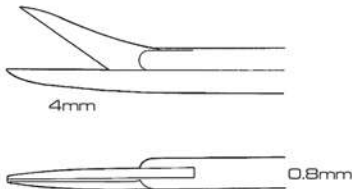
1/1
01-427-80
Left

1/1
01-428-80
Str

1/1
01-429-80
Curved Upward



01-428-80 To 01-431-80
Shaft 8cm / 3 1/8"
Oval Cup 0.5 x 0.6mm
Jaw Length 3.5mm



1/1
01-430-80
Right

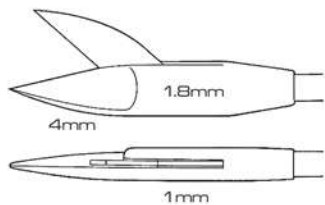
1/1
01-431-80
Left

1/1
01-432-80
Str

1/1
01-433-80
Curved Upward



Bellucci
01-432-80 To 01-435-80
Shaft 8cm / 3 1/8"
Blade Length 4mm
Very Delicate



1/1
01-434-80
Right

1/1
01-435-80
Left

1/1
01-436-80
Str

1/1
01-437-80
Curved Upward



Wullstein
01-436-80 To 01-439-80
Shaft 8cm / 3 1/8"
Blade Length 4mm



1/1
01-438-80
Right

1/1
01-439-80
Left

1/1
01-440-80
Str

1/1
01-441-80
Str

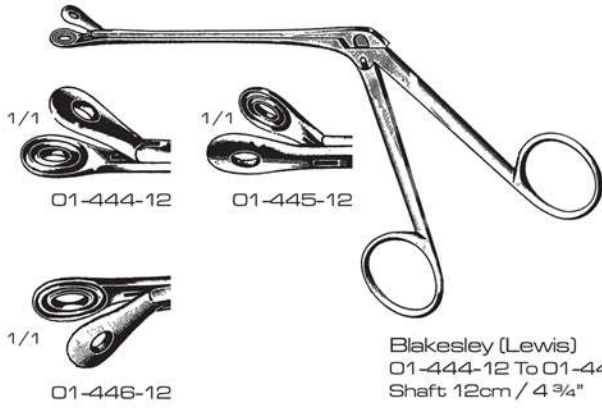


House-Dieter
01-440-80 To 01-443-80
Shaft 8cm / 3 1/8"

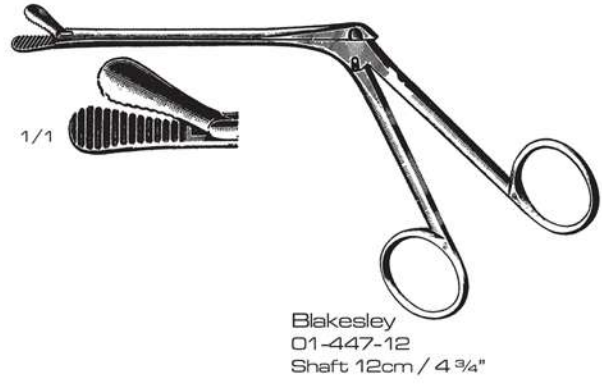
1/1
01-442-80
Left

1/1
01-443-80
Right

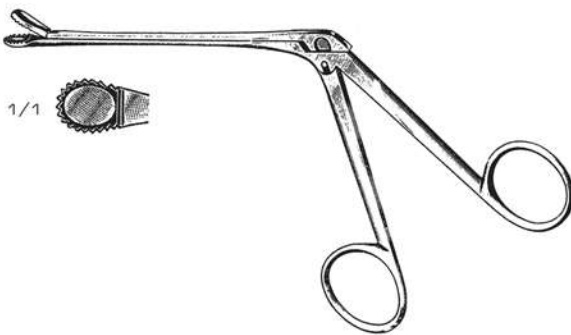
NASAL POLYPUS AND CUTTING FORCEPS



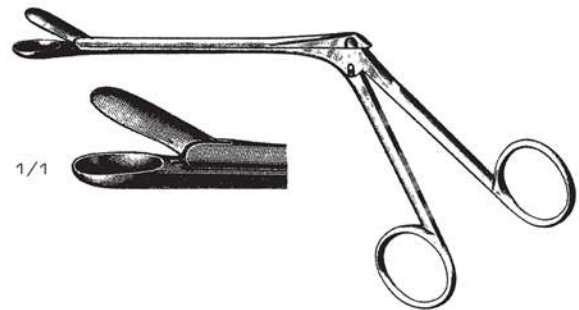
Blakesley (Lewis)
01-444-12 To 01-446-12
Shaft 12cm / 4 3/4"



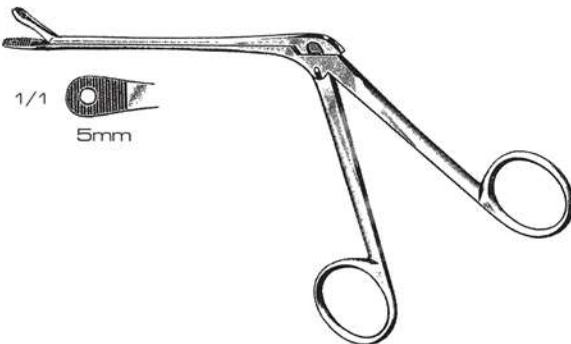
Blakesley
01-447-12
Shaft 12cm / 4 3/4"



Blakesley
01-448-12
Shaft 12cm / 4 3/4"



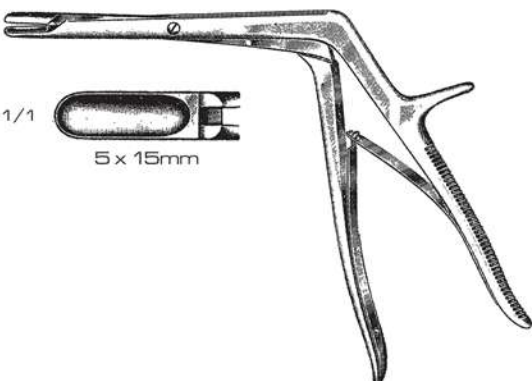
Watson-Williams
01-449-12
Shaft 12cm / 4 3/4"



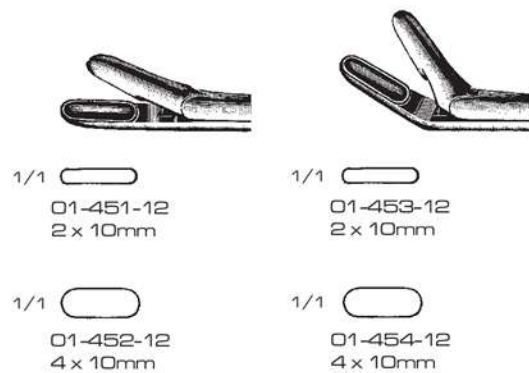
Ferris-Smith
01-450-12
Shaft 12cm / 4 3/4"

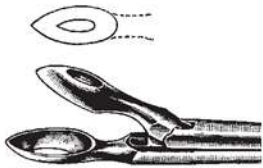


Takahashi
01-451-12 To 01-454-12
Shaft 12cm / 4 3/4"



Kofler
01-455-11
Shaft 11cm / 4 1/4"





1/1 Weil
01-456-12



1/1 Watson-Williams
01-458-12



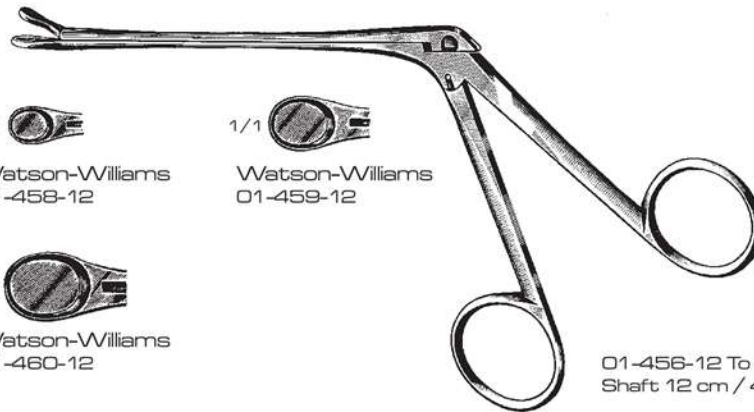
1/1 Watson-Williams
01-459-12



1/1
01-457-12



1/1 Watson-Williams
01-460-12



01-456-12 To 01-460-12
Shaft 12 cm / 4 3/4"



1/1 Hartmann
01-461-12
5mm Ø



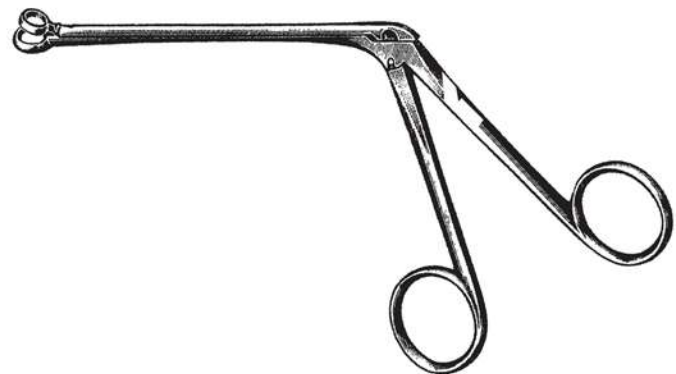
1/1 Hartmann
01-462-12
7mm Ø



1/1 Hartmann
01-463-12
9mm Ø



1/1 Hartmann
01-464-12
11mm Ø



01-461-12 To 01-468-12
Shaft 12 cm / 4 3/4"



1/1 Schmeden
01-465-12
5mm



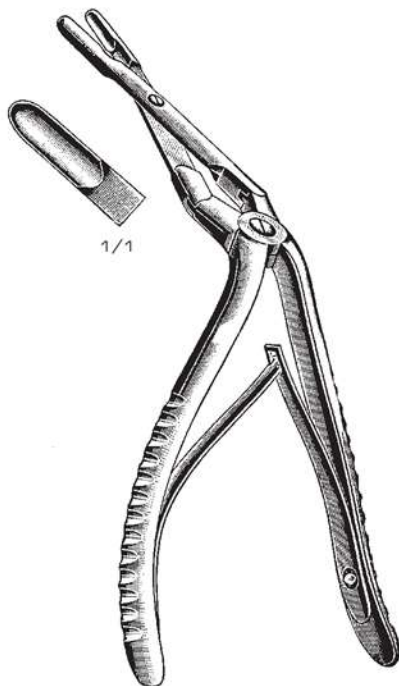
1/1 Schmeden
01-466-12
7mm



1/1 Schmeden
01-467-12
8mm



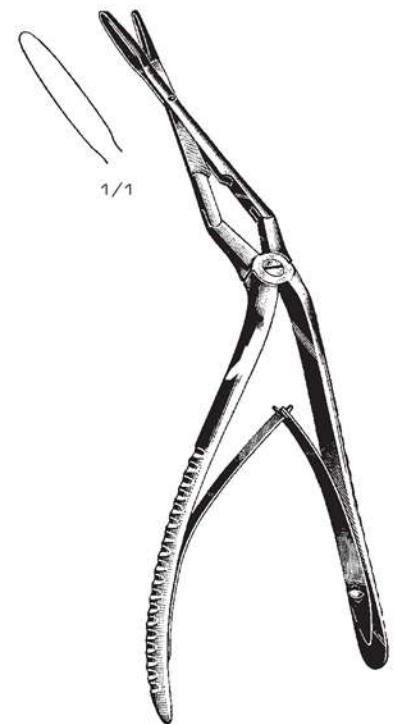
1/1 Schmeden
01-468-12
9mm



Middleton-Jansen
01-469-19
19 cm / 7 1/2"



Middleton-Jansen
01-470-19
19 cm / 7 1/2"



Middleton-Struycken
01-471-19
19 cm / 7 1/2"

OGE